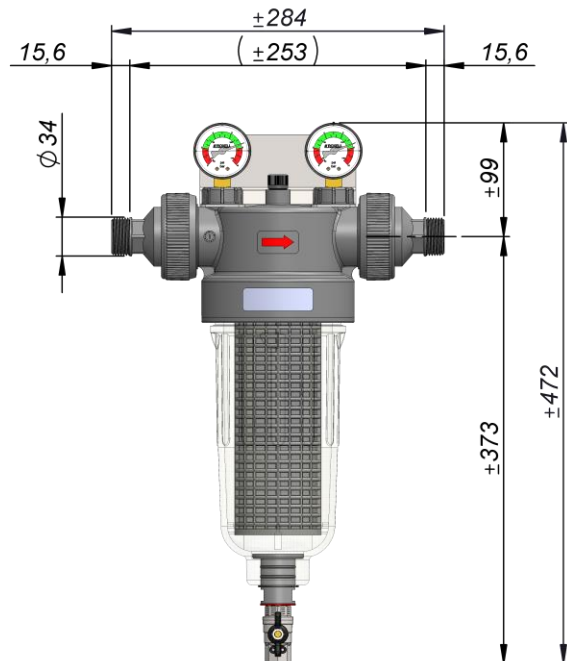
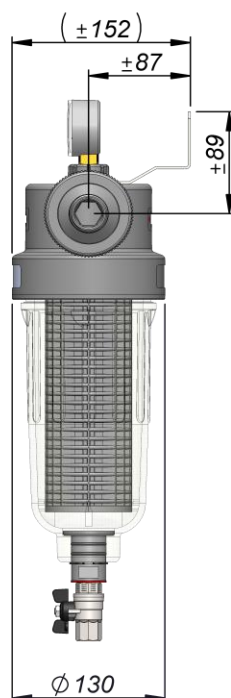
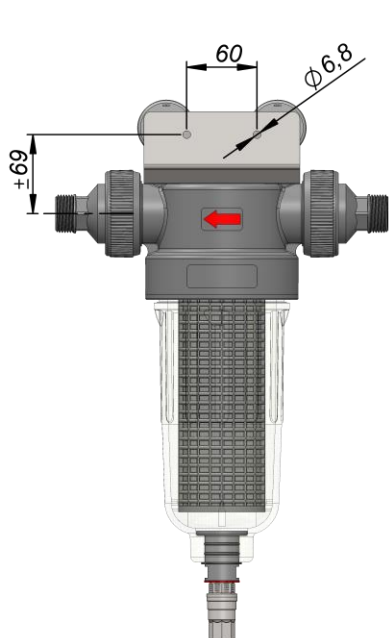
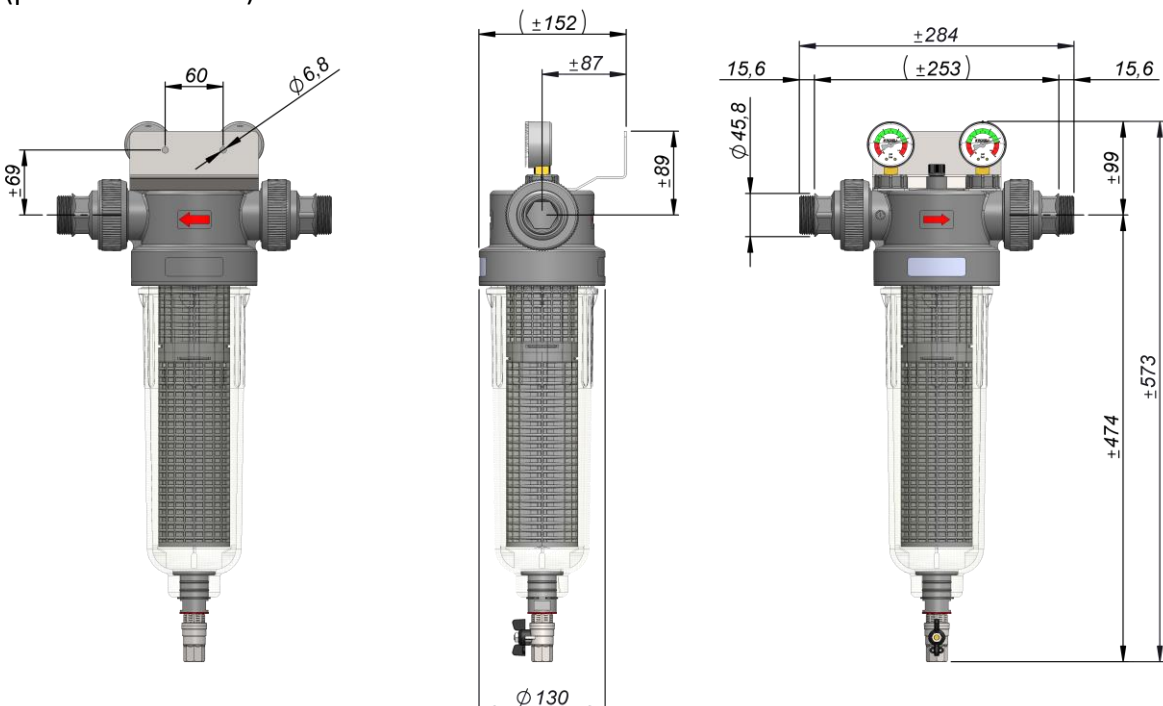




Filter type:	NW280
Connection diameter:	1"
Average flow rate (m ³ /h):	7 at ΔP 0,2 bar
Working pressure (bar):	10
Max. operating pressure (bar):	16
Max. operating temperature (°C):	50
Weight (kg):	2,2 / 2,7 (with packaging)
Packaging in mm (L x W x H):	445 x 180 x 180
Quantity / pallet (units):	63
Filter head:	Polypropylene (PP) + 20% GF
Connections + nuts:	PP + 20% GF
Bowl:	PET
Wrench:	ABS
Filtering support:	PP + 20 % GF
Seals:	O-ring butadiene-acrylonitrile (NBR)
Centrifugal vane + cap:	Polypropylene (PP) + elastomer (2K)
Air drain screw:	Polyamide (PA) + polyester (2K)
Filtering sleeve:	Polyester (non-washable) or nylon (washable)
Filtration surface (cm ²):	530
Original equipment:	Filtering sleeve 25 μm, wrench, drain-cock ½ " nickel-plated brass, 2 pressure gauges with glycerine 0-20 bar ¼" brass + 2 connections 1"
Option:	Stainless steel wall fixation 2 mm
Filtering fineness available (μm):	Non-washable : 1 - 5 - 10 - 25 - 50 - 100
(packs of 5 sleeves)	Washable : 150 - 300



Filter type:	NW340
Connection diameter:	1 ¼"
Average flow rate (m³/h):	10 at ΔP 0,2 bar
Working pressure (bar):	10
Max. operating pressure (bar):	16
Max. operating temperature (°C):	50
Weight (kg):	2,66 / 3,18 (with packaging)
Packaging in mm (L x W x H):	545 x 180 x 180
Quantity / pallet (units):	56
Filter head:	Polypropylene (PP) + 20% GF
Connections:	PA
Nuts:	PP + 20% GF
Bowl:	PET
Wrench:	ABS
Filtering support:	PP + 20% GF
Seals:	O-ring butadiene-acrylonitrile (NBR)
Centrifugal vane + cap:	Polypropylene (PP) + elastomer (2K)
Air drain screw:	Polyamide (PA) + polyester (2K)
Filtering sleeve:	Polyester (non-washable) or nylon (washable)
Filtration surface (cm²):	770
Original equipment:	Filtering sleeve 25 µm, wrench, drain-cock ½ " nickel-plated brass, 2 pressure gauges with glycerine 0-20 bar ¼ " brass + 2 connections 1 ¼"
Option:	Stainless steel wall fixation 2 mm
Filtering fineness available (µm):	Non-washable : 1 - 5 - 10 - 25 - 50 - 100
(packs of 5 sleeves)	Washable : 150 - 300



Filter type:	NW400
Connection diameter:	1 ½"
Average flow rate (m³/h):	12 at ΔP 0,2 bar
Working pressure (bar):	10
Max. operating pressure (bar):	16
Max. operating temperature (°C):	50
Weight (kg):	2,88 / 3,47 (with packaging)
Packaging in mm (L x W x H):	656 x 180 x 180
Quantity / pallet (units):	49
Filter head:	Polypropylene (PP) + 20% GF
Connections:	PA
Nuts:	PP + 20% GF
Bowl:	PET
Wrench:	ABS
Filtering support:	PP + 20% GF
Seals:	O-ring butadiene-acrylonitrile (NBR)
Centrifugal vane + cap:	Polypropylene (PP) + elastomer (2K)
Air drain screw:	Polyamide (PA) + polyester (2K)
Filtering sleeve:	Polyester (non-washable) or nylon (washable)
Filtration surface (cm²):	1010
Original equipment:	Filtering sleeve 25 µm, wrench, drain-cock ½" nickel-plated brass, 2 pressure gauges with glycerine 0-20 bar ¼" brass + 2 connections 1 ½"
Option:	Stainless steel wall fixation 2 mm
Filtering fineness available (µm):	Non-washable : 1 - 5 - 10 - 25 - 50 - 100
(packs of 5 sleeves)	Washable : 150 - 300

